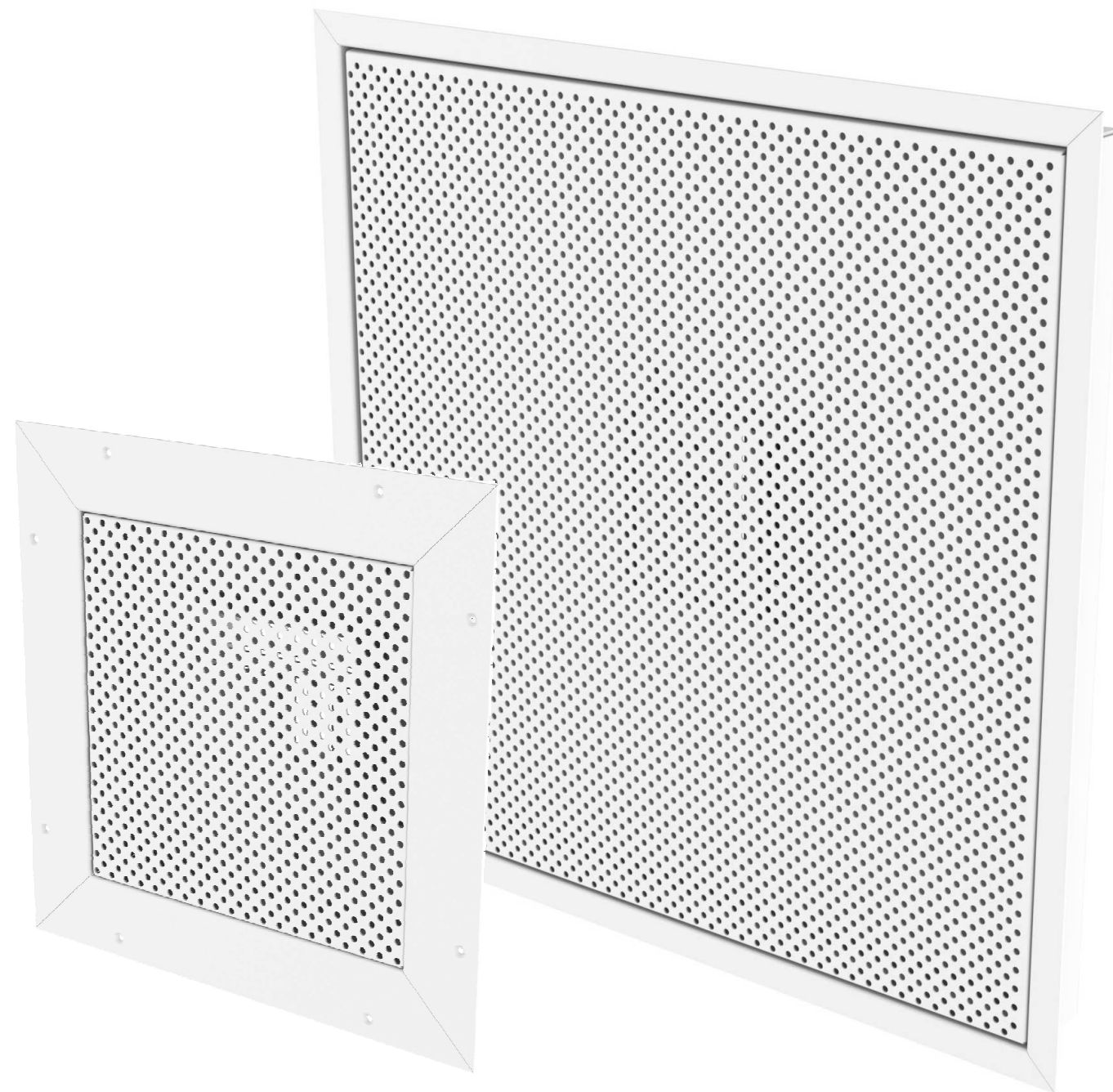


# PDA

## PERFORATED LABORATORY DIFFUSER

### FEATURES:

- PROVIDES A UNIFORM, 4-WAY AIR PATTERN THAT DISPLACES AIRBORNE PARTICULATE DOWN AND AWAY FROM THE AREA BELOW THE DIFFUSER
- WITH ROOMSIDE REMOVABLE DIFFUSER FACE, DAMPER, AND BLADE CORE, THE PDA SATISFIES ALL ASHRAE 170 REQUIREMENTS FOR DIFFUSER CLEANING AND MAINTENANCE
- THE PDA SUPPLY DIFFUSER OFFERS 4-WAY AIR PATTERN CONTROL WITH INTEGRATED, ADJUSTABLE CURVED VANES
- THE PDA IS HIGHLY CUSTOMIZABLE, AVAILABLE WITH MANY INLET SIZES, CONFIGURATIONS, AND RETURN OR SUPPLY MODEL CHOICE



**PRICE** | **CRITICAL ENVIRONMENTS**

PROJECT:

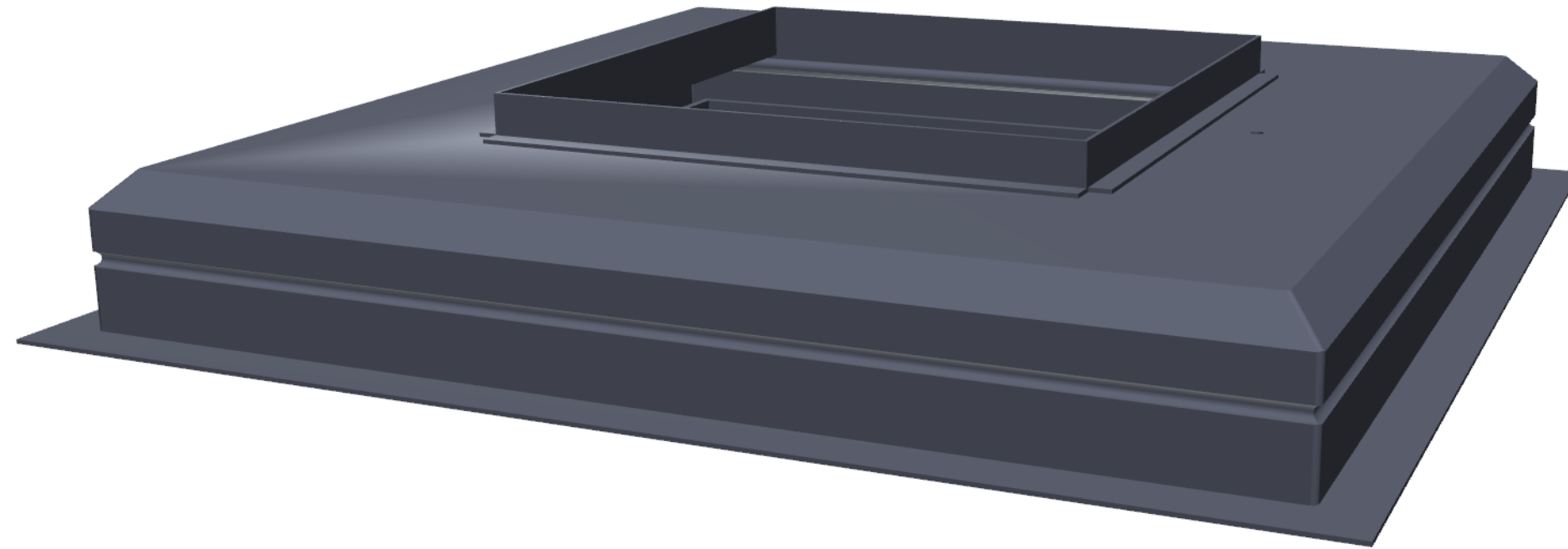
276156

Revision: 0

06-08-2023

**PDA** 

**PERFORATED LABORATORY DIFFUSER  
3D INTERACTIVE MODELS**



- USE THE SCROLL WHEEL TO ZOOM
- HOLD DOWN THE LEFT MOUSE BUTTON TO ROTATE
- HOLD DOWN CTRL AND LEFT MOUSE BUTTON TO MOVE

**PRICE** | **CRITICAL ENVIRONMENTS**

PROJECT:

276156

Revision: 0

06-08-2023

# PDA

## PERFORATED LABORATORY DIFFUSER CONSTRUCTION DETAILS AND OPTIONS

### STANDARD CONSTRUCTION

- CONTINUOUS WELDED CORNER SEAMS
- ALUMINUM PLENUM WITH SNAP IN ALUMINUM PERFORATED FACE
- SAFETY CABLE ATTACHED TO FACE FOR EASY REMOVAL

### PLENUM AND FRAME MATERIAL

- ALUMINUM

### FACE MATERIAL

- PERFORATED ALUMINUM FACE

### PLENUM FINISH

- WHITE POWDER COAT - B12
- CUSTOM MATCHED COLOUR - B25

### FACE FINISH

- WHITE POWDER COAT - B12
- CUSTOM MATCHED COLOUR - B25

### INLET LOCATION

- TOP - TOP INLET

### INLET SIZE

- 6" (152mm) SQUARE
- 8" (203mm) SQUARE
- 10" (254mm) SQUARE
- 12" (305mm) SQUARE
- 14" (356mm) SQUARE
- 15" (381mm) SQUARE
- 16" (406mm) SQUARE
- 18" (457mm) SQUARE

### UNIT STYLE

- RETURN BUILD OPTION
- SUPPLY BUILD OPTION (INCLUDES 4-WAY AJUSTABLE BLADE ASSEMBLY)

### MOUNT STYLE

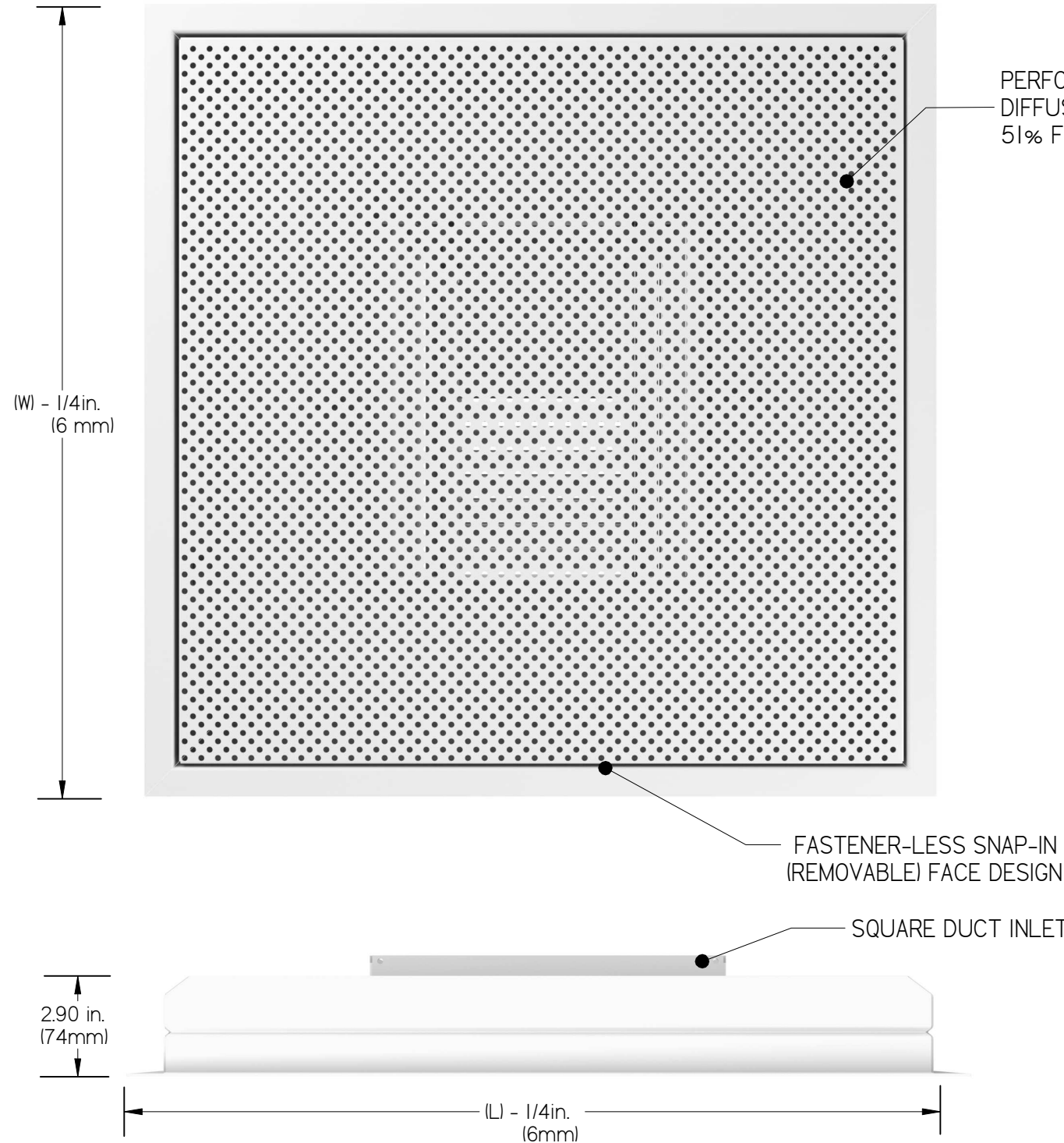
- T-BAR MOUNT OPTION
- SURFACE MOUNT OPTION

### OPTIONS

- VCS3SS - OPPOSED BLADE DAMPER - MILL STAINLESS STEEL

### NOTES

- FACTORY TOLERANCE +/- ( $\frac{1}{32}$ )"
- T-BAR MOUNT OPTION SHOWN
- SURFACE MOUNT OPTION (W) + 2.0 in. AND (L) +2.0 in.  
(51 mm) (51mm)



IMPERIAL (in.)				
INLET SIZES	T-Bar Mount		Surface Mount	
	NOMINAL (W x L)	ACTUAL	NOMINAL (W x L)	ACTUAL
6 x 6	12 x 12	11.75 x 11.75	12 x 12	14 x 14
6 x 6	24 x 24	23.75 x 23.75	24 x 24	26 x 26
8 x 8	24 x 24	23.75 x 23.75	24 x 24	26 x 26
10 x 10	24 x 24	23.75 x 23.75	24 x 24	26 x 26
12 x 12	24 x 24	23.75 x 23.75	24 x 24	26 x 26
14 x 14	24 x 24	23.75 x 23.75	24 x 24	26 x 26
15 x 15	24 x 24	23.75 x 23.75	24 x 24	26 x 26
16 x 16	24 x 24	23.75 x 23.75	24 x 24	26 x 26
18 x 18	24 x 24	23.75 x 23.75	24 x 24	26 x 26
METRIC (mm)				
INLET SIZES	T-Bar Mount		Surface Mount	
	NOMINAL (W x L)	ACTUAL	NOMINAL (W x L)	ACTUAL
152 x 152	305 x 305	300 x 300	305 x 305	356 x 356
152 x 152	609 x 609	604 x 604	609 x 609	660 x 660
203 x 203	609 x 609	604 x 604	609 x 609	660 x 660
254 x 254	609 x 609	604 x 604	609 x 609	660 x 660
305 x 305	609 x 609	604 x 604	609 x 609	660 x 660
356 x 356	609 x 609	604 x 604	609 x 609	660 x 660
381 x 381	609 x 609	604 x 604	609 x 609	660 x 660
406 x 406	609 x 609	604 x 604	609 x 609	660 x 660
457 x 457	609 x 609	604 x 604	609 x 609	660 x 660

**PRICE** | **CRITICAL ENVIRONMENTS**

PROJECT:

276156

Revision: 0

06-08-2023

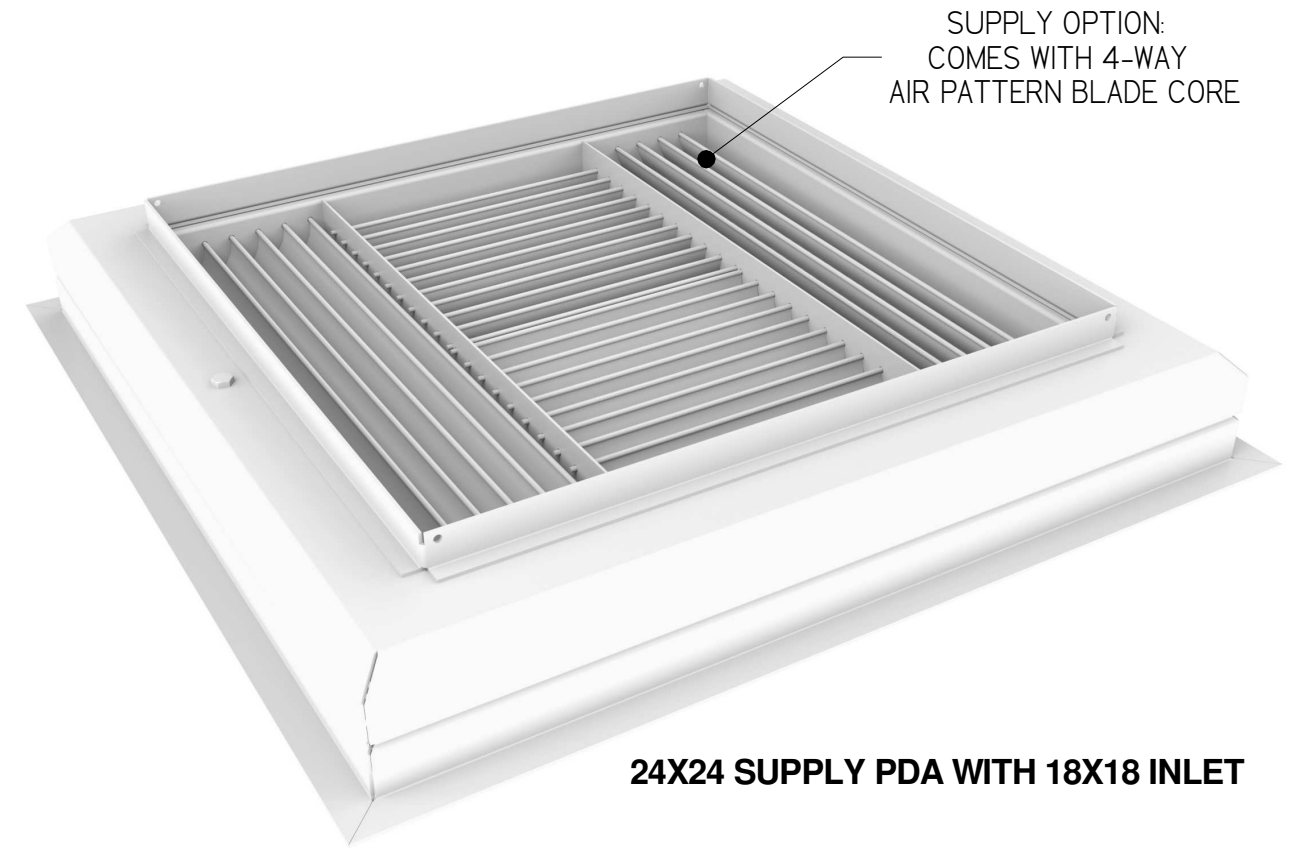


# PDA

## PERFORATED LABORATORY DIFFUSER MODEL DETAILS

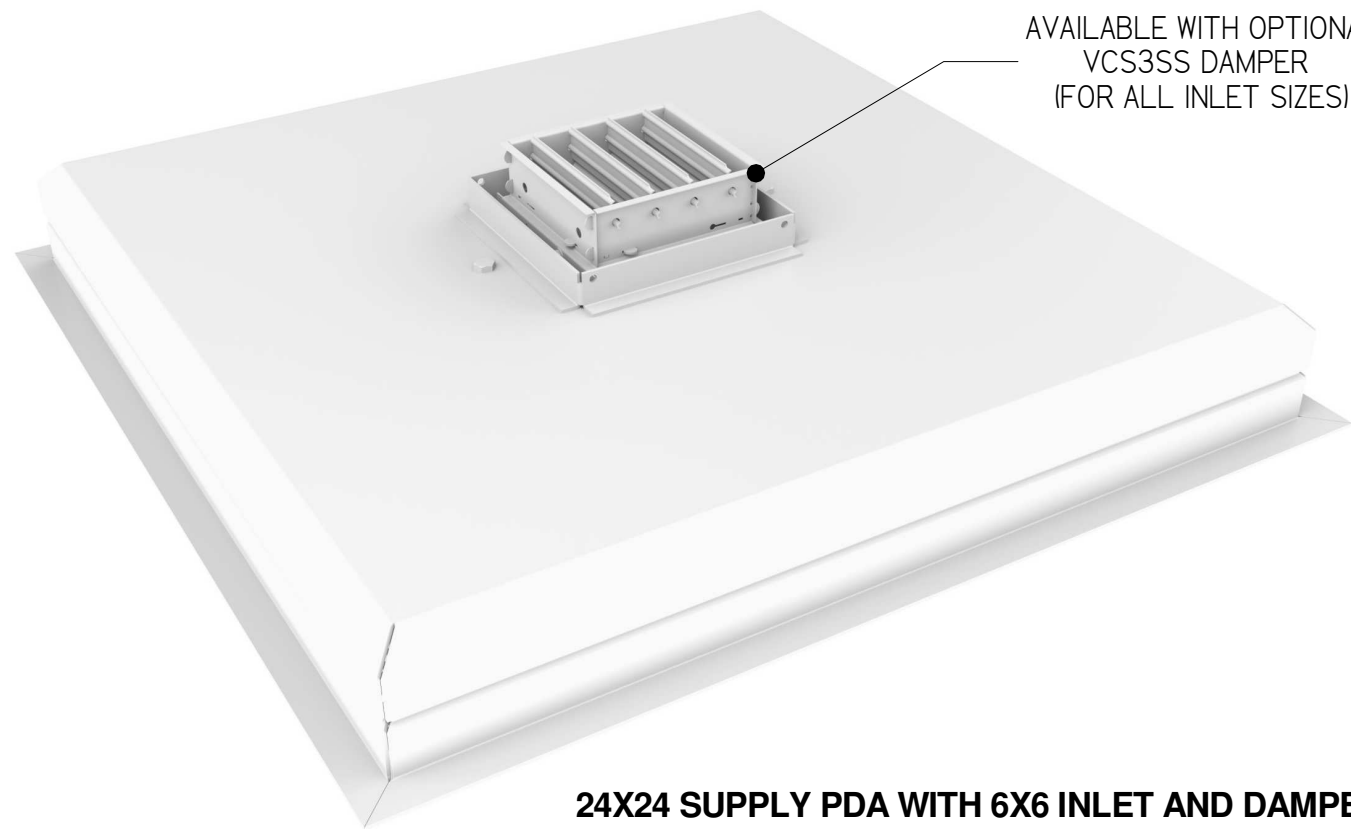


**24X24 RETURN PDA WITH 18X18 INLET**



SUPPLY OPTION:  
COMES WITH 4-WAY  
AIR PATTERN BLADE CORE

**24X24 SUPPLY PDA WITH 18X18 INLET**



AVAILABLE WITH OPTIONAL  
VCS3SS DAMPER  
(FOR ALL INLET SIZES)

**24X24 SUPPLY PDA WITH 6X6 INLET AND DAMPER**

### NOTES

- DAMPER AND AIR PATTERN CONTROLLER ADJUSTABLE FROM ROOMSIDE
- DAMPER AND BLADE CORE ARE REMOVEABLE FOR CLEANING
- SECURED WITH WINGNUTS INSIDE THE UNIT

**PRICE** | **CRITICAL ENVIRONMENTS**

PROJECT:

276156

Revision: 0

06-08-2023

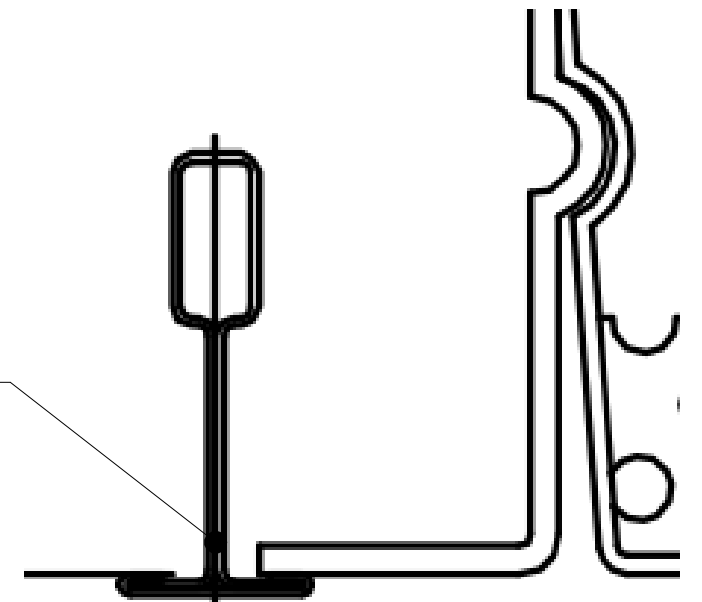
# PDA

## PERFORATED LABORATORY DIFFUSER CEILING MOUNTING DETAILS

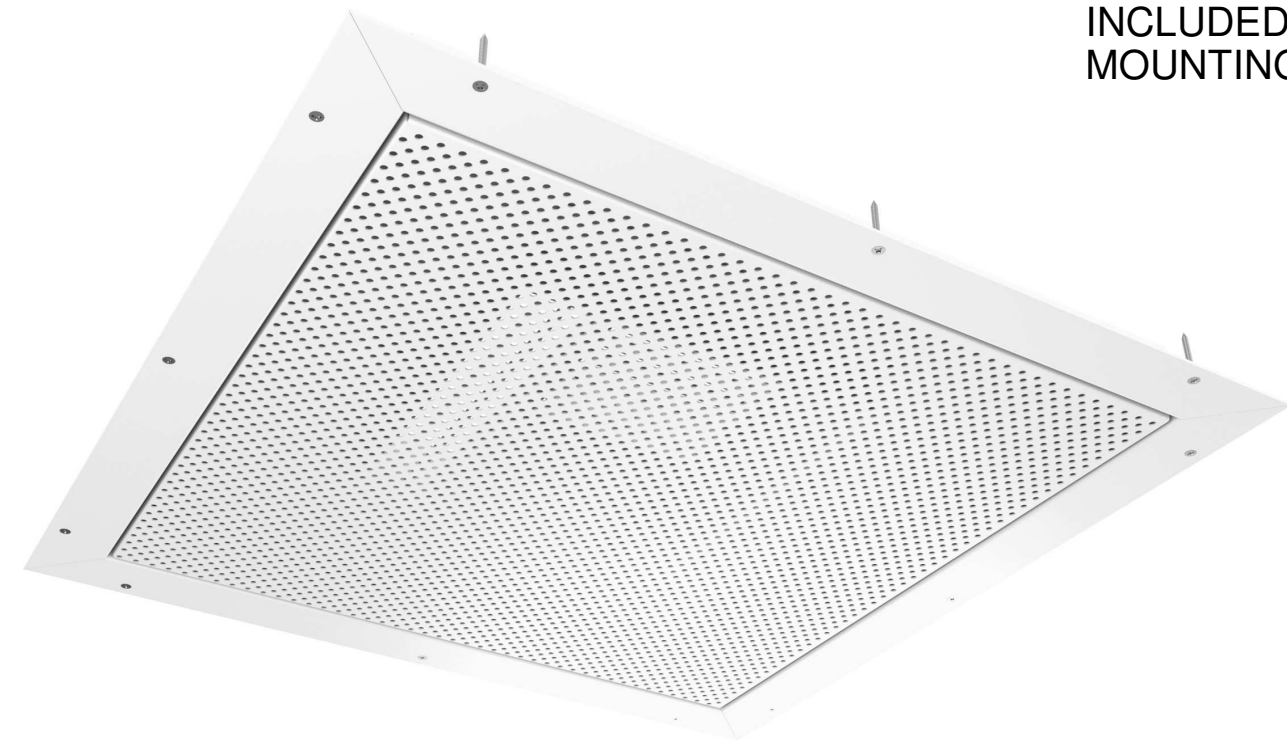


FOR 15/16", 1" & 1-1/2" CLEANROOM TEE  
INSTALLED BY OTHERS

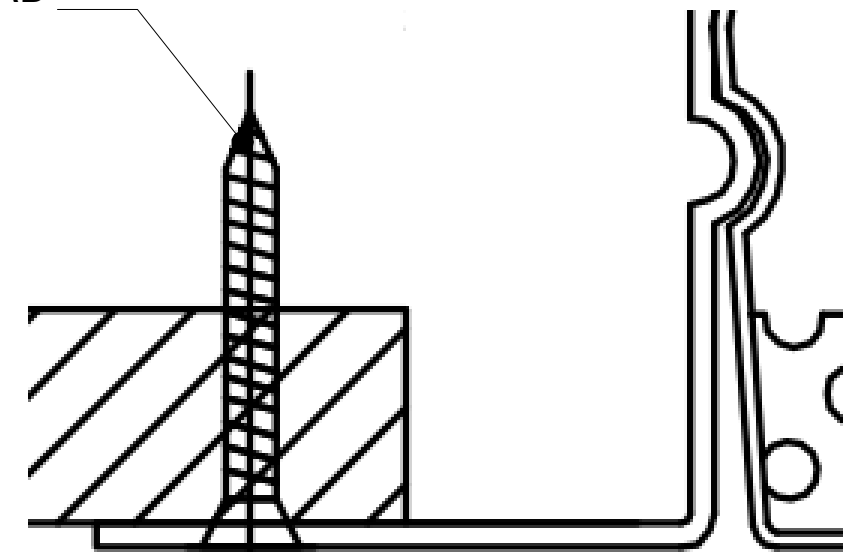
### T-BAR MOUNTING OPTION



INCLUDED COUNTER SUNK NO. 8 - TYPE "A" FLAT HEAD  
MOUNTING SCREWS



### SURFACE MOUNTING OPTION



**PRICE** | **CRITICAL ENVIRONMENTS**

PROJECT:

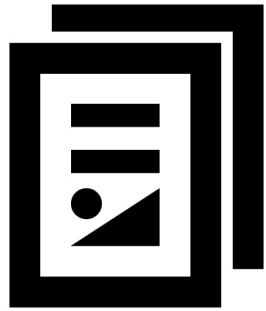
276156

Revision: 0

06-08-2023

# PDA

## PERFORATED LABORATORY DIFFUSER SUPPORTING CONTENT



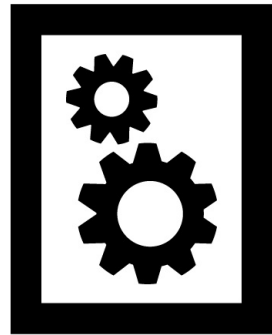
### CATALOG / PERFORMANCE

PDA PERFORATED LABORATORY DIFFUSER PERFORMANCE DATA  
PDA PERFORATED LABORATORY DIFFUSER PERFORMANCE DATA (METRIC)



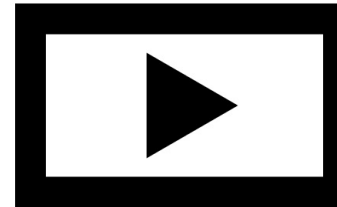
### SPECIFICATIONS

PDA PERFORATED LABORATORY DIFFUSER SPECIFICATION



### MANUALS

DIFFUSER INSTALLATION MANUAL



### VIDEOS

PRICE CLEAN ROOM



### CASE STUDIES

CRITICAL ENVIRONMENTS CASE STUDY LIBRARY



FOR MORE INFORMATION ON PRICE LAMINAR FLOW DIFFUSERS,  
VISIT [PRICEINDUSTRIES.COM](http://PRICEINDUSTRIES.COM)

**PRICE** | **CRITICAL ENVIRONMENTS**

PROJECT:

276156

Revision: 0

06-08-2023